

Clamping Jaws

for Power Clamps GN 864 / GN 865 / GN 866, Steel

SPECIFICATION

Steel C45
Chemically nickel plated **NC**

INFORMATION

Clamping jaws GN 872 are designed to be modified by the user into individual clamping designs, such as prisms and radii. They are also suitable for welding.

The fastening thread and centering bores are adapted to the dimensions of the clamping arms and static holders to enable quick and easy assembly.

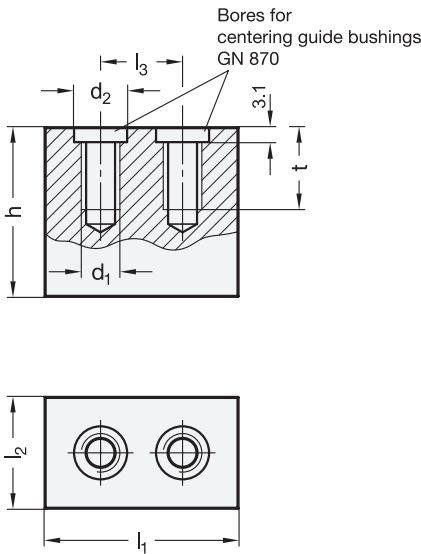
Centering guide bushings GN 870 (see page 1645) are **not** included.

ACCESSORY

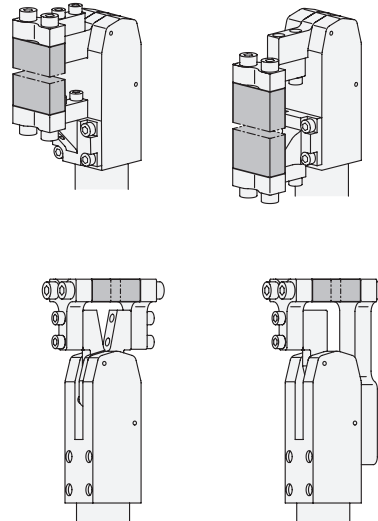
- Centering Guide Bushings GN 870 (see page 1645)

TECHNICAL INFORMATION

- ISO-Fundamental Tolerances (see page A21)



Mounting examples



GN 872

Description	l ₁	h	d ₁	d ₂ H8/h6	l ₂	l ₃ ±0.01	t	Δ
GN 872-30-25-NC	30	25	M 6	9	13	17	8	80
GN 872-30-50-NC	30	50	M 6	9	13	17	8	150
GN 872-40-35-NC	40	35	M 8	11	17	23	12	180
GN 872-40-70-NC	40	70	M 8	11	17	23	12	350
GN 872-50-45-NC	50	45	M 10	13	20	30	15	370
GN 872-50-80-NC	50	80	M 10	13	20	30	15	470
GN 872-60-50-NC	60	50	M 10	13	20	40	15	620
GN 872-60-85-NC	60	85	M 10	13	20	40	15	800